



AUTO SLIDING DOOR CLOSER INSTALLATION MANUAL

DW-DRSC-025C

DW-DRSC-045C

DW-DRSC-025E(Page 7)

DW-DRSC-045E(Page 7)

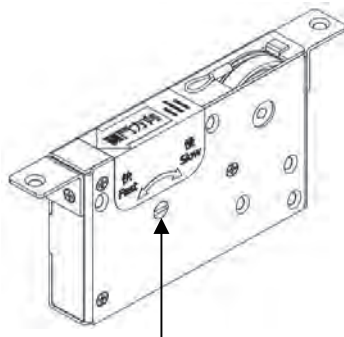
DW-DRSC-025C & DW-DRSC-045C (Concealed Type)

Thanks you for the support in our environmental friendly, electricity free embedded auto door retract device. Please check our product features below, and please understand and read the [Installation Notices] and [Check List before Installation] before used.

*External Model at Page 7.

– Catalogue –

	Page
1. Pictures of Installation -----	2
2. Door Closing Direction Confirmation -----	2
3. Components -----	3
4. Installation Steps -----	3~4
5. Speed Adjustment -----	5
6. Speed Adjustment Hole Covering Cap -----	5
7. Installation Notices -----	6
8. Magnetic Door Stopper Installation (Sold Separately) -----	6
9. Questions & Answers -----	11



ⓈNotice: Please do not turn the [Speed Adjustment Button] before you completed the installation, to avoid malfunction breakdown.

Product Function & Features:

- ⓈNew hidden design, save limited spaces, remain original appearance, electricity free, auto door retraction & environmental friendly.
- ⓈSilent, smooth and stable door retraction.
- ⓈPatented design with adjustable sliding speed.
- ⓈLeft or right sliding direction compatible.
- ⓈAdjustable speed suitable for senior and child protection.
- ⓈWidely usage: Toilet, Medical center, Shop, Washitsu, Bedroom, Fitting room, Closet etc.

Notices Before Use:

- ⓈSliding door weight under 25kg, compatible model: ASC-0025N.
- ⓈSliding door weight under 45kg, compatible model: ASC-0045N.
- ⓈSliding door thickness must be greater than 28mm.
- ⓈOnly install on wheeled sliding door.
- ⓈWidest pulling width 120cm.
- ⓈNo suitable for outdoor or wet environment.
- ⓈIf applying on glass door, door frame's thickness must above 10cm.

Check List Before Installation:

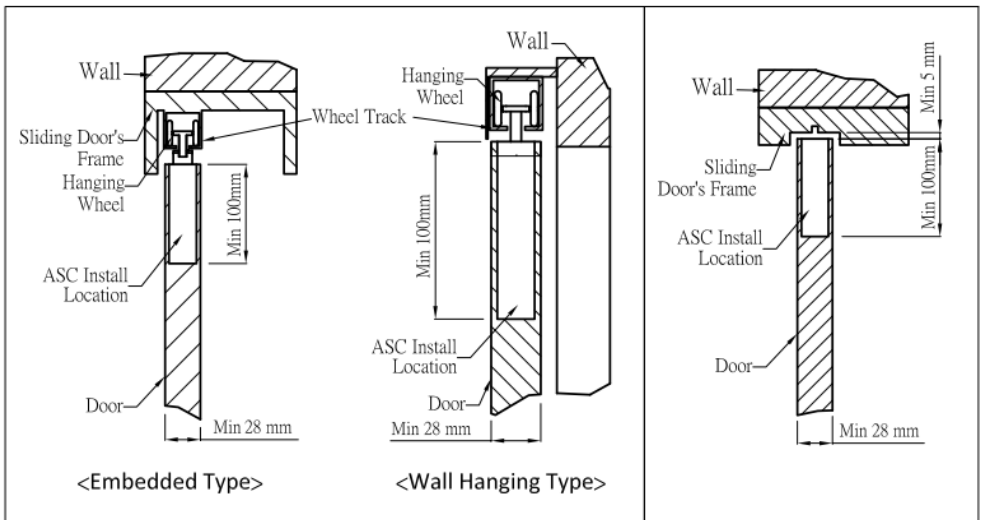
- ⓈApplicable on door's wheel/track, recommending quality accessories, and maintenance regularly.
- ⓈMake sure the door track in smooth condition before installation.
- ⓈGap between frame and sliding door at least 10mm.
- ⓈDoor pulling force under 0.8kg(ASC-0025N), 1.5kg(ASC-0045N).
- ⓈIf the sliding door not in the fresh and smooth condition, please replace the component of the sliding door or lubricate them before using the product.

< INSTALLATION GUIDED >

1. Pictures of Installation:

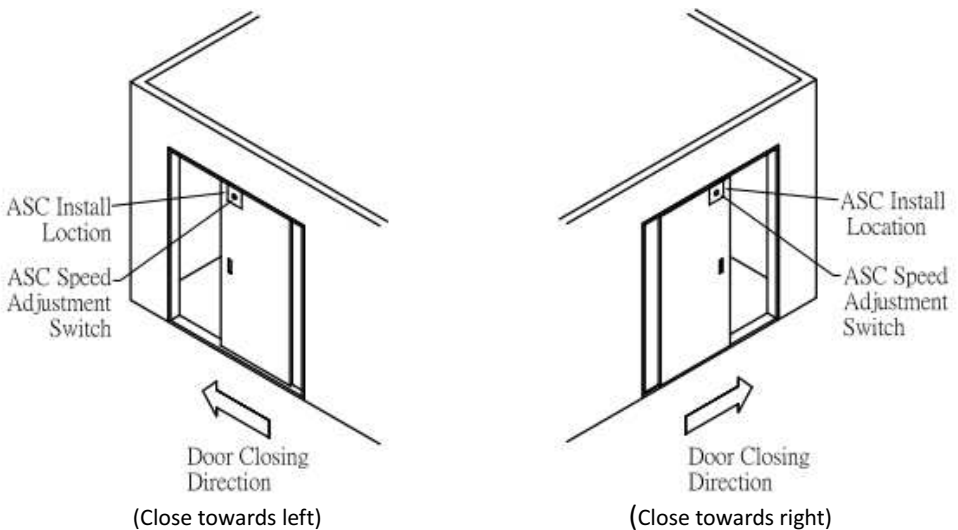
Hanging Track Installation:

Landed Track Installation:



(Picture 1)

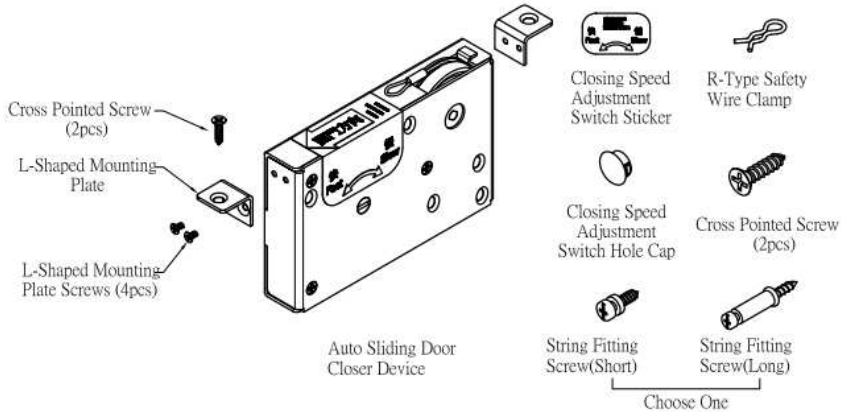
2. Door Closing Direction Confirmation:



(Picture 2)

3. Components:

- (1) Auto Sliding Door Closer Device 1 unit
- (2) Speed Adjustment Switch Sticker 1 piece
- (3) R-Type Safety Wire Clamp 1 unit
- (4) Closing Speed Adjustment Switch Hole Cap 1 unit
- (5) Cross Pointed Screw 2 pieces
- (6) String Fitting Screw 2 pieces (Choose One Which Suitable)
- (7) L shape mounting plate 2 pieces
- (8) L shape mounting plate screws 4 pieces



(Picture 3)

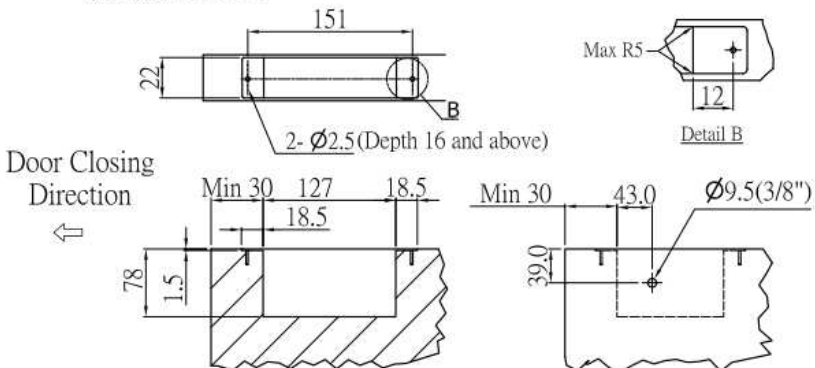
4. Installation Steps:

4-1 Sliding door modification:

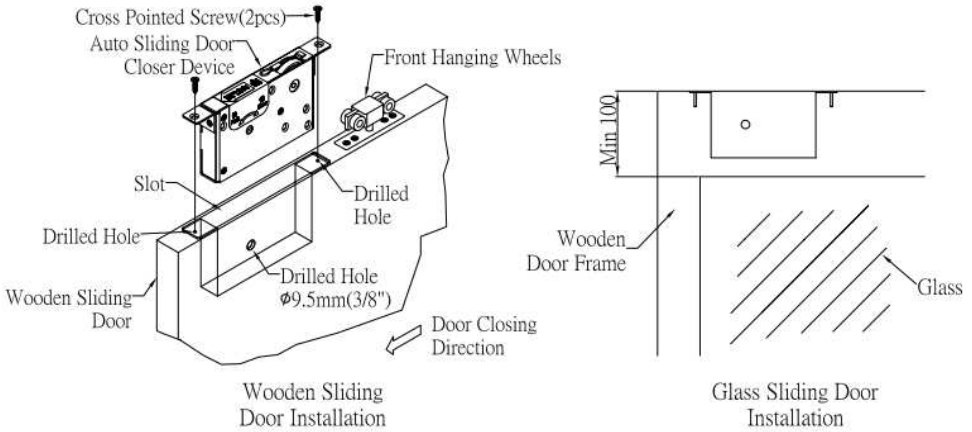
- (1) Detach the sliding door, marked the install location (Picture 4-1-1 & 4-1-2).
- (2) Make the correct space for Auto Sliding Door Closer device.
- (3) Drill a hole for the speed adjustment switch on the front of the sliding door. ($\varnothing 9.5 \sim \varnothing 10.0 \text{mm}$)

Note: If drilled the hole width over $\varnothing 10 \text{mm}$, it will cause the speed adjustment switch hole cap inapplicable.

*Unit shown as mm



(Picture 4-1-1) (Close towards left)



(Picture 4-1-2) (Picture shown in left closing direction)

4-2 Installing Auto Sliding Door Closer Device:

- (1) Install the Auto Sliding Door Closer device into the slot according to the sticker's direction.
- (2) Fasten the cross pointed screw (screw size 4x18mm X 2pcs). (check picture 4-1-2)

Note: Do not screw too tight with force. [Torque 1.0 Nm (10kgf - cm) below]

4-3 String Fitting Screw Installation and Wire Clamp Fit:

- (1) Fasten the screw on the specified location.

Note: Provided 2 sizes of String Fitting Screw to choose from.

Note: Short screw is ideal for wooden frame or drilled hole ($\varnothing 3.2\text{mm}$ or $1/8''$).

Note: Long screw is ideal for inside aluminum track ($\varnothing 3.2\text{mm}$ or $1/8''$). (check picture 4-3-3)

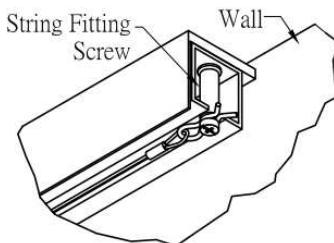
- (2) Attach the frame to the sliding door.

- (3) Hook the wire clamp to the screw, make sure it is completely hooked.

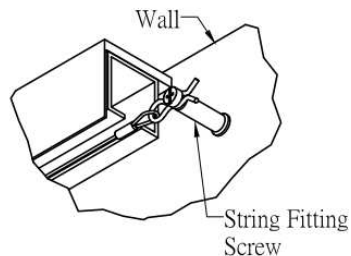
Note: Make sure at least 10mm space between sliding door and door frame.

Note: Apply the screw for the wire clamp on the wall if there's no frame on sliding door.

(check picture 4-3-4)



(Picture 4-3-3)



(Picture 4-3-4)

5. Auto Sliding Door Closer's Speed Adjustment:

- (1) Speed adjustment sticker; please stick right above or below the switch's hole.
- (2) Door closing speed can be adjusted with the speed adjustment switch.

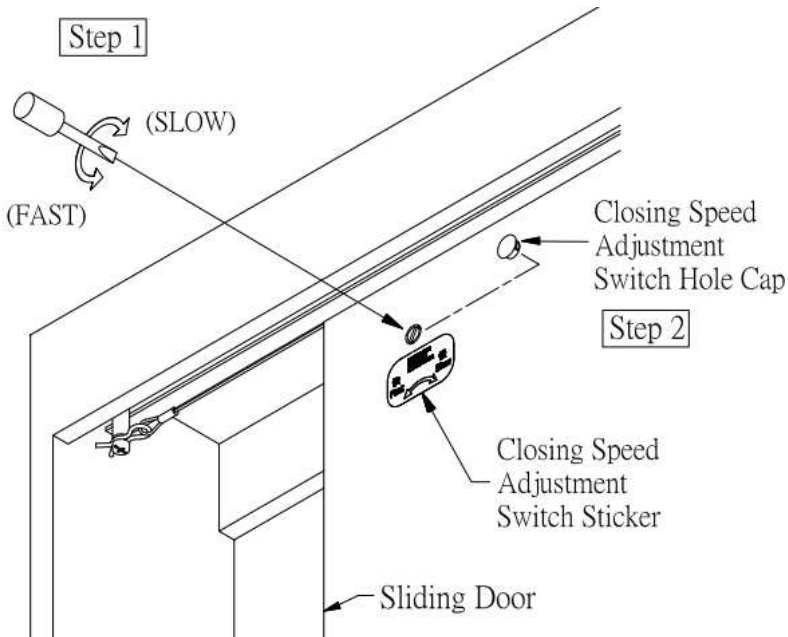
◎Standard Speed Adjustment

Keep the sliding door completely opened, twist to adjust the speed with screw driver (check the sticker's indication), twist for few clicks and check the closing speed to adjust further.

Open and close the door several times to confirm the speed and the door can be completely closed.

Slide the door open to 30cm, and make sure the door can be completely closed.

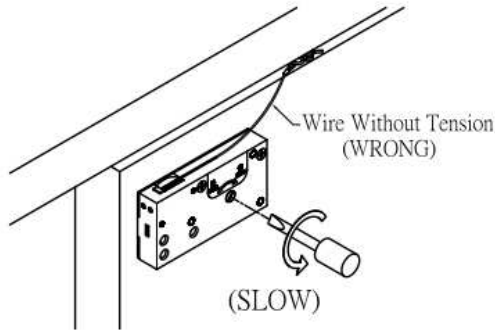
◎**Note:** If the adjustment caused the wire losing tension, please rewind the speed adjustment to avoid malfunction. (Check Picture 5-1 Step 1 & page 6)



(Picture 5-1) (Picture shown Left Sliding door)

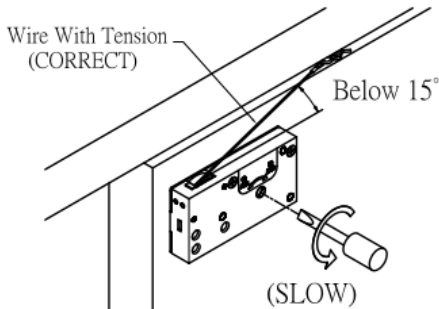
6. Speed Adjustment Hole Covering Cap (check Picture 5-1 Step 2)

[Notices Before Installation]:



(Picture 6-1) Wire without tension (picture shown right sliding door)

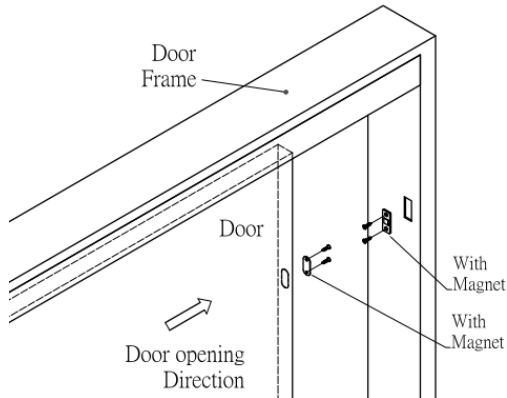
◎Notice: Do not adjust further to the slow direction if found the wire without tension.



(Picture 6-2) Wire with tension (picture shown right sliding door)

Magnetic Door Stopper Installation: (Sold Separately)

Used on the back end of the door, to keep the sliding door opened. (check Picture 7)
Applicable on both sides of the door to make it tightly shut or have it open temporarily.



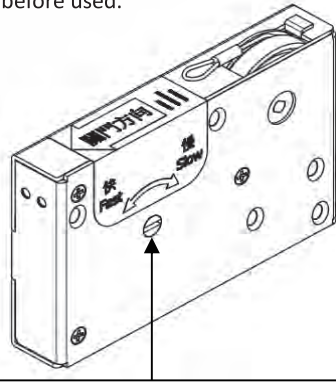
(Picture 7)

DW-DRSC-025E & DW-DRSC-045E (Exposed Type)

Thanks you for the support in our environmental friendly, electricity free embedded auto sliding door closer. Please check our product features below, and please understand and read the [Installation Notices] and [Check List before Installation] before used.

– Catalogue –

	Page
1. Pictures of Installation -----	8
2. Door Closing Direction Confirmation -----	8
3. Components -----	9
4. Installation Steps -----	9~10
5. Speed Adjustment -----	10
6. Installation Notices -----	6
7. Magnetic Door Stopper Installation (Sold Separately)-----	6
8. Questions & Answers -----	11



⊙Notice: Please do not turn the [Speed Adjustment Button] before you completed the installation, to avoid malfunction breakdown.

Product Function & Features:

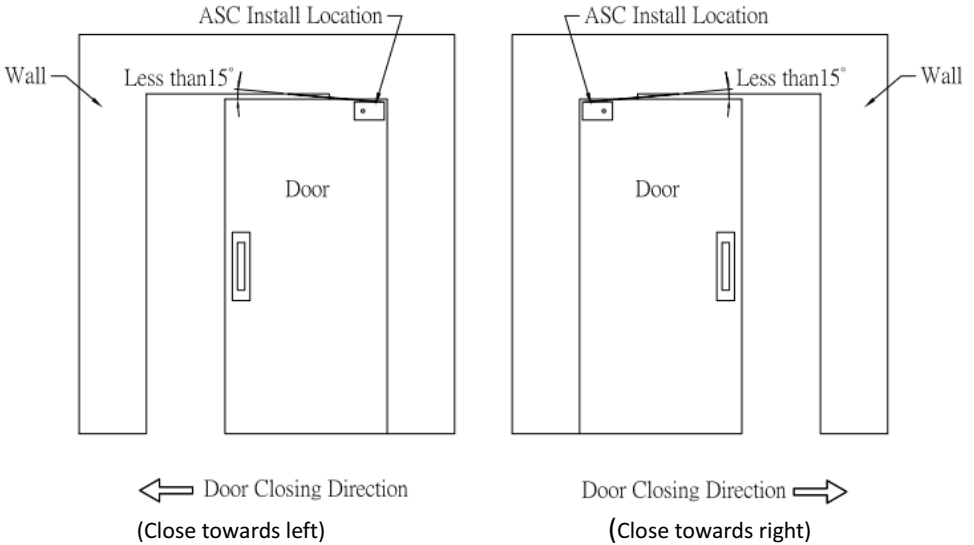
- ⊙New design, save limited spaces, remain original appearance, electricity free, auto door retraction & environmental friendly.
- ⊙Silent, smooth and stable door retraction.
- ⊙Patented design with adjustable sliding speed.
- ⊙Left or right sliding direction compatible.
- ⊙Adjustable speed suitable for senior and child protection.
- ⊙Widely usage: Toilet, Medical center, Shop, Washitsu, Bedroom, Fitting room, Closet etc.

Notices Before Use:

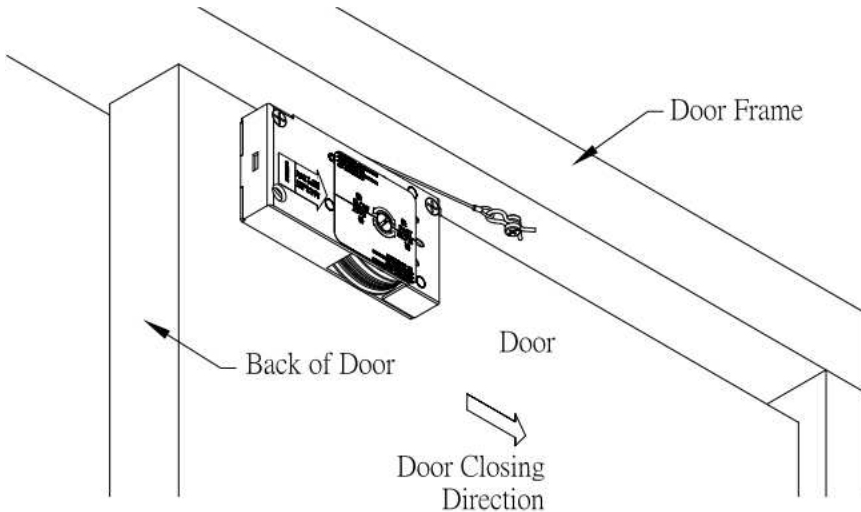
- ⊙Sliding door weight under 25kg, compatible model: ASC-0025D.
- ⊙Sliding door weigh under 45kg, compatible model: ASC-0045D.
- ⊙Only install on wheeled sliding door.
- ⊙Widest pulling width 120cm.
- ⊙No suitable for outdoor or wet environment.
- ⊙If applying on glass door, door frame's thickness must above 3cm.

Check List Before Installation:

- ⊙Applicable on door's wheel and track, recommending high quality accessories, and maintenance regularly.
- ⊙Make sure the door track in smooth condition before installation.
- ⊙Gap between frame and sliding door at least 10mm.
- ⊙Door pulling force under 0.8kg(ASC-0025D), 1.5kg(ASC-0045D).
- ⊙If the sliding door not in the fresh and smooth condition, please replace the component of the sliding door or lubricate them before using the product.

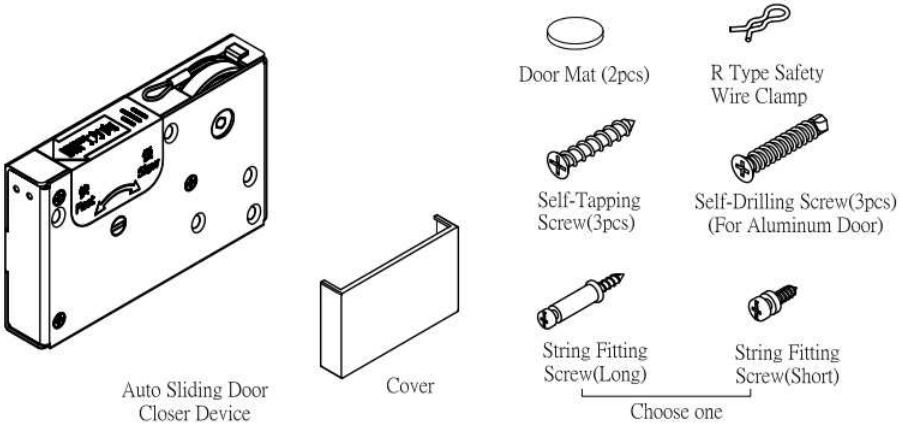
<INSTALLATION GUIDED >**1. Door Closing Direction Confirmation:**

(Picture 2)

2. Pictures of Installation:(Picture 1) Above shown installation above back of door
(picture shown right sliding door with door closing)

3. Components:

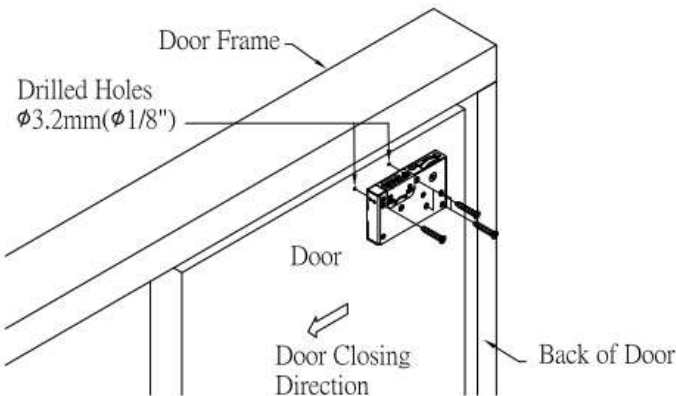
- (1) Auto Sliding Door Closer Device 1 unit
- (2) Self-Tapping Screw 3 pieces
Self-Drilling Screw 3 pieces (Choose Suitable Type)
- (3) R-Type Safety Wire Clamp 1 unit
- (4) String Fitting Screw 2 piece (Choose Suitable One)
- (5) Protection Cover 1 unit
- (6) Door Mat 2 pieces



(Picture 3)

4. Installation Steps:

4-1 Installing Auto Sliding Door Closer Device:

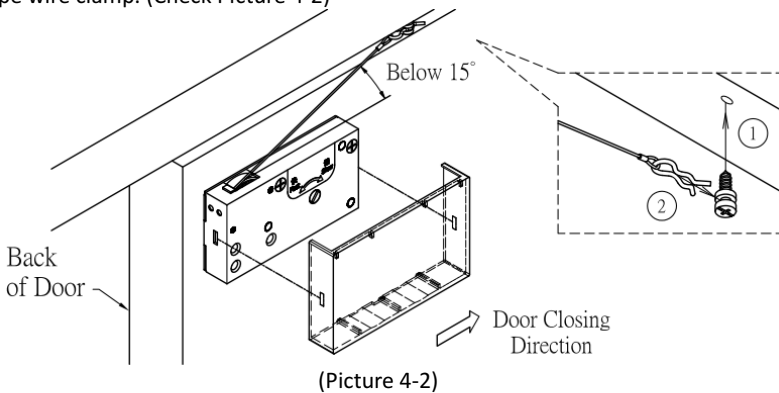


(Picture 4-1-1)

Secure the Auto Sliding Door Closer Device above the back of the door with 3 self-tapping screws (Picture shown in left sliding door with door opening)

4-2 Installing the string fitting screw & R-Type safety wire clamp:

- ◎ Fasten the string fitting screw on the door frame, hook the string and fitting screw with the R-Type wire clamp. (Check Picture 4-2)

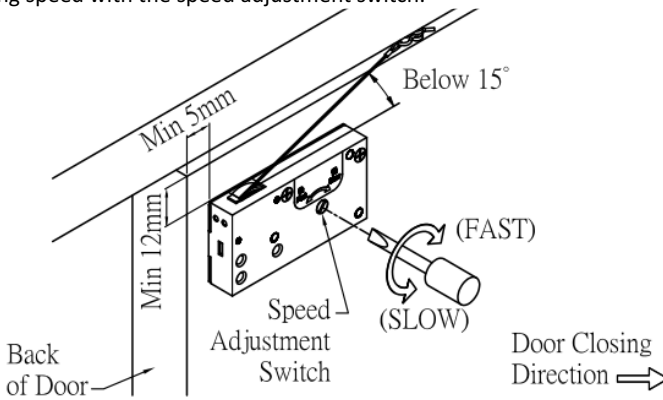


4-3 Installing the Protecting Cover:

- ◎ Please adjust the speed of the door and cover the device completely. (Check Picture 4-2)

5. Auto Sliding Door Closer's Speed Adjustment:

Adjust the closing speed with the speed adjustment switch.



- ◎ Standard Speed Adjustment (Check picture 5-1)

Keep the sliding door completely opened, twist to adjust the speed with screw driver (check the sticker's indication), twist for few clicks and check the closing speed to adjust further. Open and close the door several times to confirm the speed and the door can be completely closed.

Slide the door open to 30cm, and make sure the door can be completely closed.

- ◎ Note: If the adjustment caused the wire losing tension, please rewind the speed adjustment to avoid malfunction. (Check Page 6 & Picture 6-1 & 6-2)

Troubleshooting Q&A:

Q: Door stopped while closing?

A: Please check if any object trapped in the track, wheel off the track, or the sliding speed too slow, please adjust the speed to the correct tension. (You can detach the R-Type safety wire clamp and check if the device works fine.)

Q: Sliding door unable to open completely?

A: Possibly sliding speed too fast. Please adjust the speed to be slower and make sure the door can be completely opened and closed.

Q: Close the door with slam?

A: Please adjust the speed slower to avoid strong impact.

Q: Undesirable sound while sliding door?

A: Please check the space between the door and the frame or any object trapped in the track.

Q: Magnetic door stopper not functioning?

A: Door or frame may tilted, please adjust the angle of the magnetic stopper.

Kindly Reminders:

- ⊙ If string loses tension, please do not slower the speed to cause malfunction.
- ⊙ Check every time after adjust the sliding speed.
- ⊙ DO NOT over twist to the slow direction as it will cause malfunction.

Product Warranty under Usual Usage: 1 Year

Type: DW-DRSC-025C DW-DRSC-025E
 DW-DRSC-045C DW-DRSC-045E

Date of Purchase: Year _____ Month _____ Date _____

Distributor Stamp:

Manufactural Serial Number: